

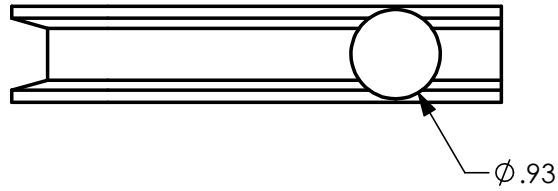
4

3

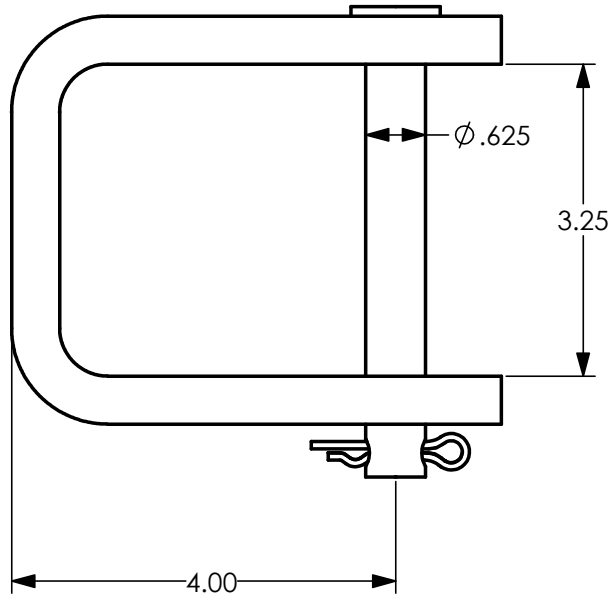
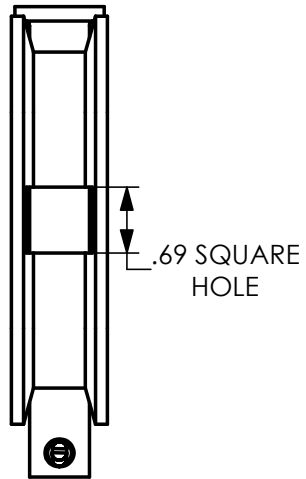
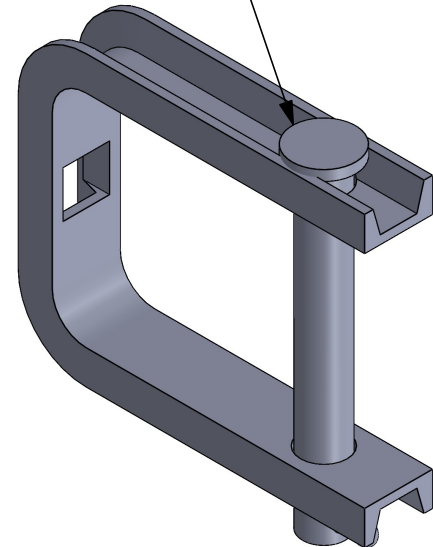
2

1

STEEL SIZE  
1 X 1/2 X 1/8 CHANNEL STEEL



5/8" X 4-3/4" CLEVIS PIN  
WITH COTTER KEY



MATERIAL: A-36 HOT ROLLED STEEL  
FINISH: HOT GALVANIZED PER ASTM A-153  
ALL DIMENSIONS IN INCHES EXCEPT WHERE NOTED

NOTES:  
1. MARKING "L" IS 0.25" TALL AND 0.031" RECESSED

# INSULATED DEADEND CLEVIS

C-4325

DATE:

7/23/21

Drawn By:

Ashley Campbell

Checked By:

John Anderson

REV:

01



4

3

2

1

4

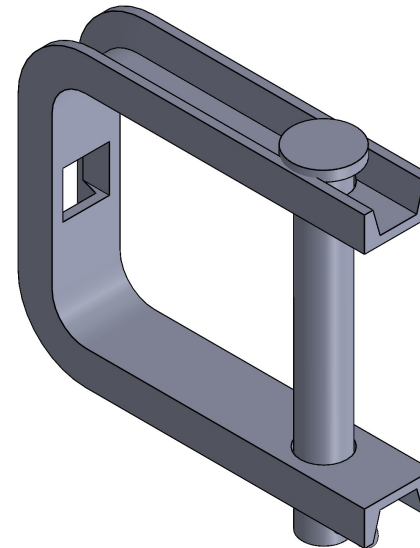
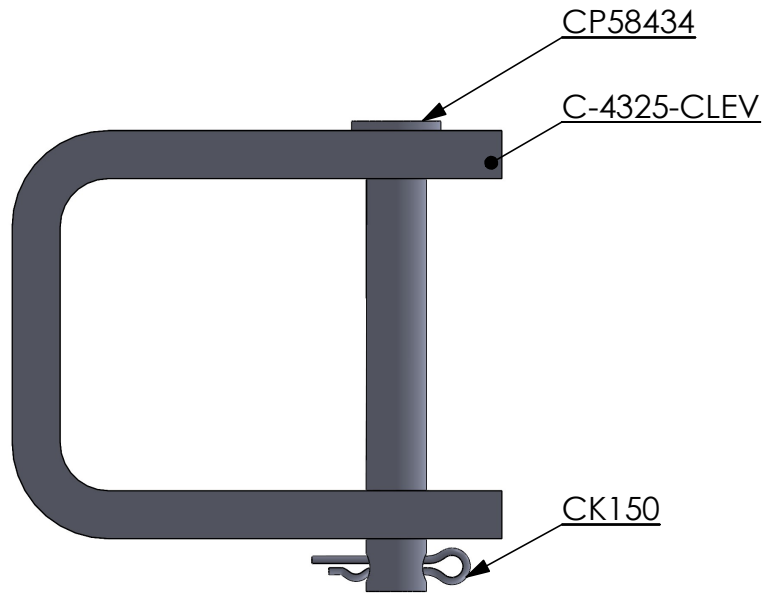
3

2

1

BOM Table

ITEM NO.	PART NUMBER	DESCRIPTION	QTY.
1	C-4325-CLEV	CLEVIS FOR C-4325	1
2	CP58434	CLEVIS PIN	1
3	CK150	COTTER KEY	1



MATERIAL: A-36 HOT ROLLED STEEL  
 FINISH: HOT GALVANIZED PER ASTM A-153  
 ALL DIMENSIONS IN INCHES EXCEPT WHERE NOTED

NOTES:  
 1. MARKING "L" IS 0.25" TALL AND 0.031" RECESSED

# INSULATED DEADEND CLEVIS

C-4325

DATE:

7/23/21

Drawn By:

Ashley Campbell

Checked By:

John Anderson

REV:

01

**Jine Hardware**

4

3

2

1